

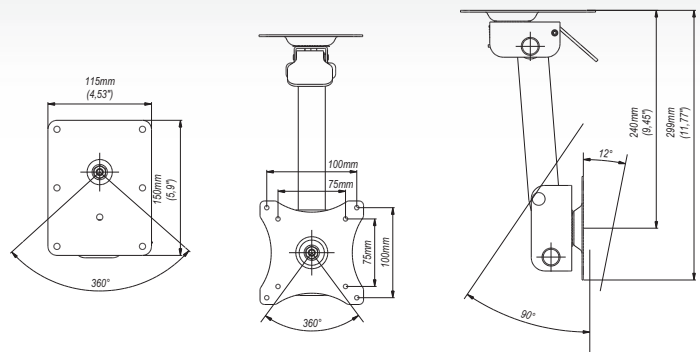
Features

- 1 **ADJUSTABLE POSITION**
vertical and horizontal with 360° rotation
- 2 **QUICK INSTALLATION**
easy installation of the product
- 3 **UNIVERSAL**
standard VESA 75x75, 100x100



Technical Data

75x75 mm 100x100 mm	14"-22"	10 Kg	min. 75x75 mm max. 100x100 mm
299 mm	12°/90°	360°	



Accessories

Series GDA



Trade Information

Index	Colour	Package	EAN
USM1c-B	Black	Orange	5908252961986
USM1s-B	Grey	Orange	5908252961993
Package Dimensions [mm] (H x W x D)		300x200x120	
Weight [Kg]		1.5	