



SV35 ■ Double LCD Ceiling Mount 19"-26"

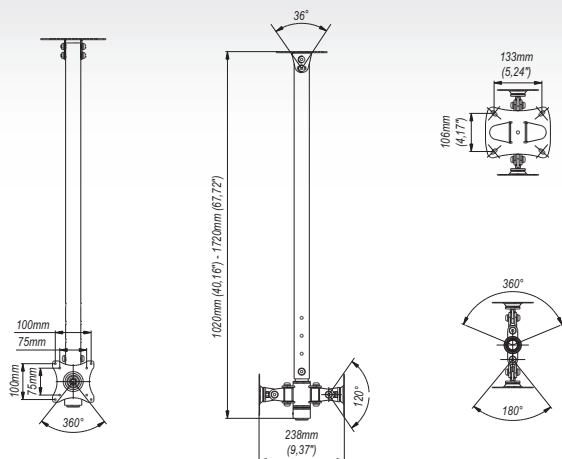


Features

- 1 **ADJUSTABLE POSITION FOR 2 SCREEN**
vertical and horizontal with 360° rotation
- 2 **TELESCOPIC MOUNT DESIGN**
adjustable from 1020 mm to 1720 mm
- 3 **QUICK INSTALLATION**
easy installation of the product



Technical Data



75x75 mm 100x100 mm	19"-26"	20 Kg	min. 75x75 mm max. 100x100 mm
1020/1720 mm	120°	360°	180°

Trade Information

Index	Colour	Package	EAN
SV35c-B	■	■	5908252961856
SV35s-B	■	■	5908252961863

Package Dimensions [mm] (H x W x D)	1000x200x160
Weight [Kg]	6,7

Accessories

Series GDA

