

# SV32 ■ Double LCD Ceiling Mount 19"-26"



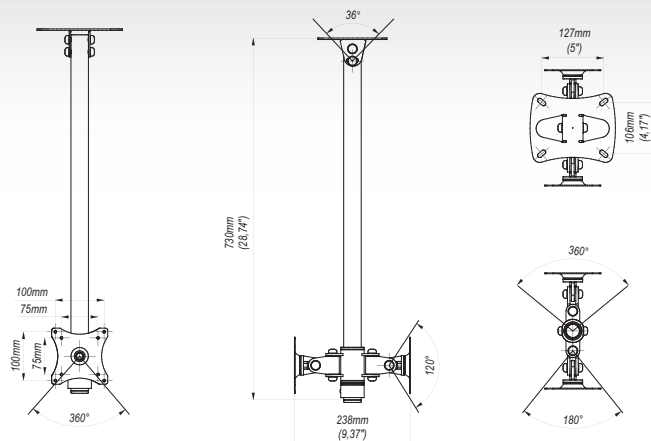
## Features

- 1 **ADJUSTABLE POSITION FOR 2 SCREEN**  
vertical and horizontal with 360° rotation
- 2 **UNIVERSAL**  
standard VESA 75x75, 100x100
- 3 **QUICK INSTALLATION**  
easy installation of the product



## Technical Data

75x75 mm 100x100 mm	19"-26"	20 Kg	min. 75x75 mm max. 100x100 mm
730 mm	120°	180°	
360°			



## Accessories

Series GDA



## Trade Information

Index	Colour	Package	EAN
SV32c-B	■	■	5908252960996
SV32s-B	■	■	5908252961009

Package Dimensions [mm] (H x W x D)	820x190x120
Weight [Kg]	3,7