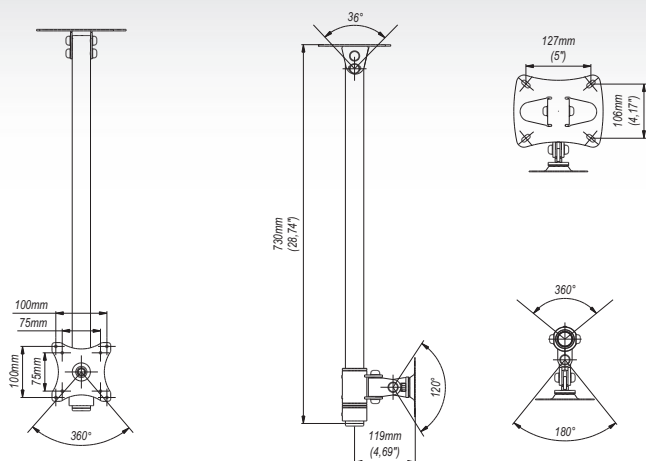




Features

- 1 **QUICK INSTALLATION**
easy installation of the product
- 2 **SOLID BUILD**
3 mm thick powder-coated metal sheet
- 3 **ADJUSTABLE POSITION**
vertical and horizontal with 360° rotation

Technical Data



75x75 mm 100x100 mm	19"-26"	10 Kg	min. 75x75 mm max. 100x100 mm
730 mm	120°	180°	180°
360°			

Trade Information

Index	Colour	Package	EAN
SV31c-B	■	■	5908252960934
SV31s-B	■	■	5908252960941
SV31w-B	□	■	5908252960934

Package Dimensions [mm] (H x W x D)	820x190x120
Weight [Kg]	3,2

Accessories

Series GDA

