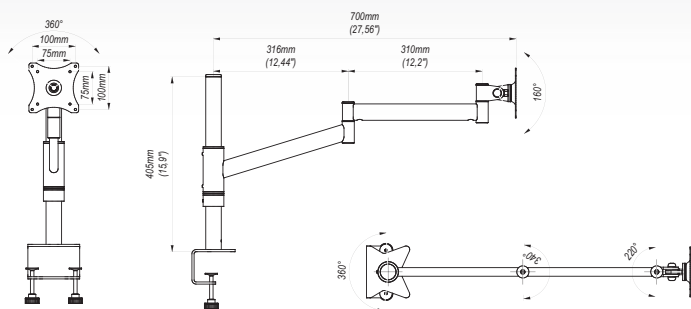




Features

- 1 **ADJUSTABLE POSITION**
vertical and horizontal with 360° rotation
- 2 **CABLE ORGANISER**
- 3 **MOUNTING OPTION**
2 fixture types included

Technical Data



| | | | |
|------------------------|---------|------|----------------------------------|
| | | | |
| 75x75 mm 100x100 mm | 19"-26" | 220° | min. 75x75 mm max. 100x100 mm |
| | | | |
| 10 Kg | 160° | 360° | |

Trade Information

| Index | Colour | Package | EAN |
|---------|--------|---------|---------------|
| SV03c-B | ■ | ■ | 5908252960484 |
| SV03s-B | ■ | ■ | 5908252960491 |
| SV03w-B | □ | ■ | 5908252963386 |

| | |
|--|--------------------|
| Package Dimensions [mm] (H x W x D) | 480x375x130 |
| Weight [Kg] | 4,9 |

Accessories

Series GDA



Series SVA

