



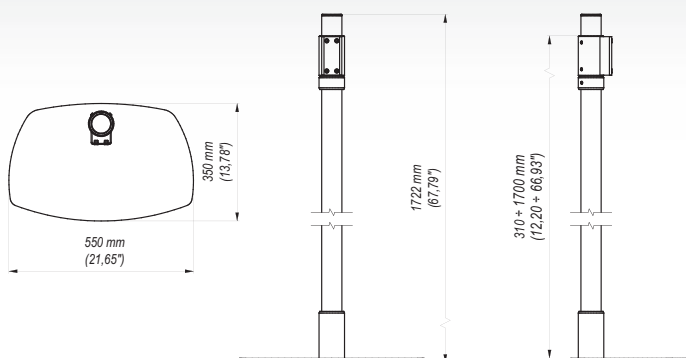
STD01 ■ Plasma/LCD Stand 26"-52"



Features

- 1 ADJUSTABLE POSITION
from 310 mm to 1700 mm
- 2 FLOOR-MOUNTED BASE
- 3 COMPATIBILITY
adapter for LWB2, PWB2 and TWB2 Mounts

Technical Data



75x75 mm
100x100 mm
200x100 mm
200x200 mm
300x300 mm
400x200 mm
400x400 mm
600x400 mm
800x200 mm
800x400 mm

26"-52"

80 Kg

min. 70x65 mm
max. 845x460 mm

min. 310 mm
max. 1700 mm

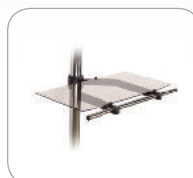
Trade Information

Index	Colour	Package	EAN
STD01c-B	■	■	5908252962068
STD01s-B	■	■	5908252962143

Package Dimensions [mm] (H x W x D)	1800x360x140
Weight [Kg]	25

Accessories

TRS4



RF



LWB2/PWB2/TWB2

