

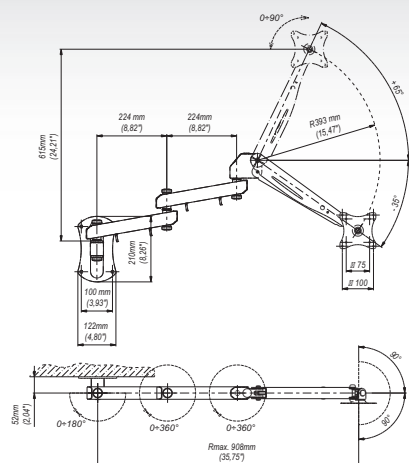


# MWM221 ■ Wall Mount with gas spring 14"-22"



## Features

- 1 **ADJUSTABLE POSITION**  
vertical and horizontal with 360° rotation
- 2 **GAS SPRING**
- 3 **QUICK INSTALLATION**  
easy installation of the product



## Technical Data

75x75 mm 100x100 mm	14"-22"	min. 52 mm max. 532 mm	min. 75x75 mm max. 100x100 mm
10 Kg	90°/90°	90°/90°	360°

## Trade Information

Index	Colour	Package	EAN
MWM221c-B	■	■	5908252963959
MWM221s-B	■	■	5908252963966

Package Dimensions [mm] (H x W x D)	<b>650x520x130</b>
Weight [Kg]	<b>7,5</b>

## Accessories

Series GDA

