

MWM131 ■ Wall Mount with gas spring 14"-22"



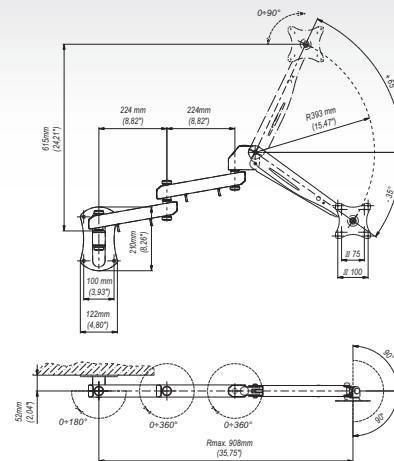
Features

- 1 **MAXIMUM WALL DISTANCE:**
908 mm
- 2 **UNIVERSAL**
standard VESA 75x75, 100x100
- 3 **ADJUSTABLE POSITION**
vertical and horizontal with 360° rotation



Technical Data

75x75 mm 100x100 mm	14"-22"	min. 52 mm max. 908 mm	min. 75x75 mm max. 100x100 mm
10 Kg	90°/90°	90°/90°	
360°			



Accessories

Series GDA



Trade Information

Index	Colour	Package	EAN
MWM131c-B	■	■	5908252963935
MWM131s-B	■	■	5908252963942

Package Dimensions [mm] (H x W x D)	650x540x130
Weight [Kg]	5,9