



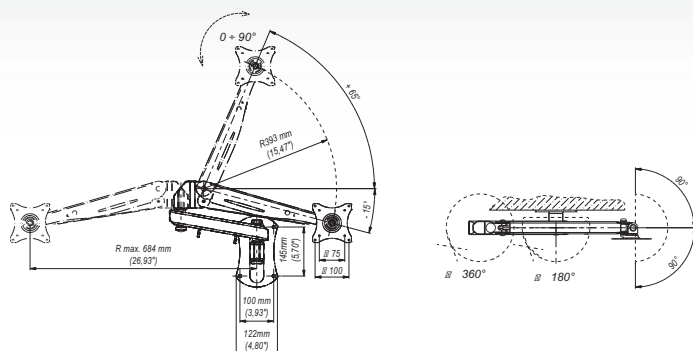
MWM121 ■ Wall Mount with gas spring 14"-22"



Features

- 1 MAXIMUM WALL DISTANCE:
684 mm
- 2 ADJUSTABLE POSITION
3 axes of rotation
- 3 GAS SPRING

Technical Data



75x75 mm 100x100 mm	14"-22"	min. 52 mm max. 684 mm	min. 75x75 mm max. 100x100 mm
10 Kg	90°/90°	90°/90°	360°

Trade Information

Index	Colour	Package	EAN
MWM121c-B	■	■	5908252963911
MWM121s-B	■	■	5908252963928

Package Dimensions [mm] (H x W x D)	650x520x130
Weight [Kg]	4,9

Accessories

Series GDA

