

# MWM111 ■ Wall Mount with gas spring 14"-22"



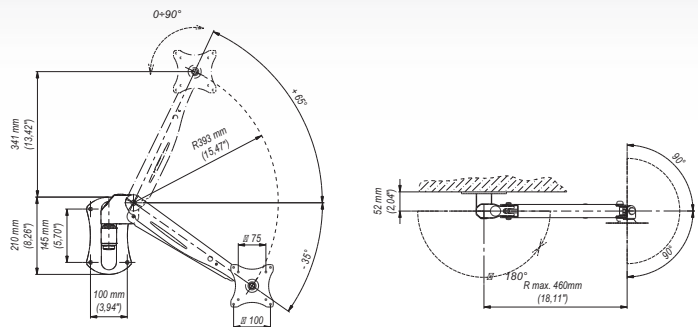
## Features

- 1 **UNIVERSAL**  
standard VESA 75x75, 100x100
- 2 **GAS SPRING**
- 3 **ADJUSTABLE POSITION**  
vertical and horizontal with 360° rotation



## Technical Data

75x75 mm 100x100 mm	14"-22"	min. 52 mm max. 460 mm	min. 75x75 mm max. 100x100 mm
10 Kg	90°/90°	90°/90°	
360°			



## Accessories

Series GDA



## Trade Information

Index	Colour	Package	EAN
MWM111c-B	■	■	5908252963898
MWM111s-B	■	■	5908252963904

Package Dimensions [mm] (H x W x D)	<b>760x320x130</b>
Weight [Kg]	<b>4</b>