



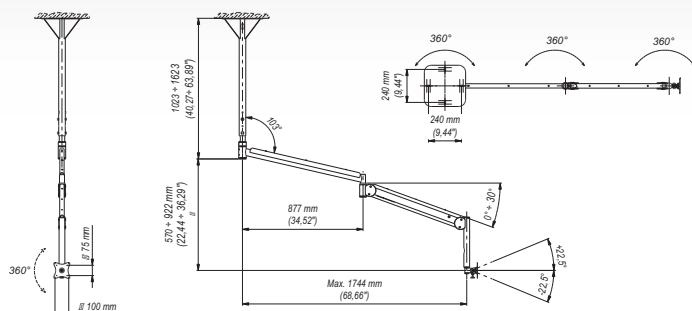
# MSA01 ■ Adjustable LCD Ceiling Mount 14"-22"



## Features

- 1 ADJUSTABLE POSITION  
3 axes of rotation
- 2 GAS SPRING
- 3 CABLE ORGANISER

## Technical Data



75x75 mm 100x100 mm	14"-22"	10 Kg	min. 75x75 mm max. 100x100 mm
360°	22,5°/-22,5°		360°

## Trade Information

Index	Colour	Package	EAN
MSA01c-B	■	■	5908252962365
MSA01s-B	■	■	5908252962372
MSA01w-B	□	■	5908252962341

Package Dimensions [mm] (H x W x D)	1050x620x350
Weight [Kg]	23

## Accessories

Series GDA

