

MDM221 ■ Double LCD Swing Arm Desk Mount with gas spring 14"-22"



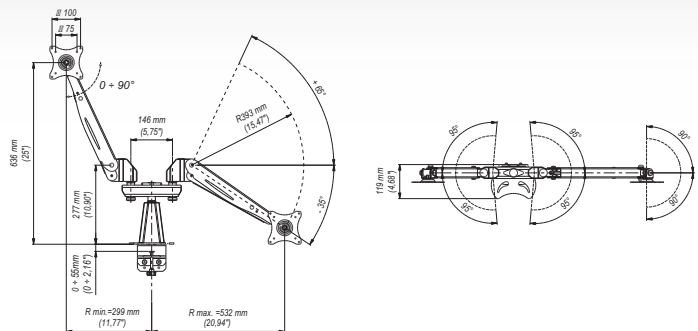
Features

- 1 **QUICK INSTALLATION**
easy installation of the product
- 2 **UNIVERSAL**
standard VESA 75x75, 100x100
- 3 **SOLID BUILD**
3 mm thick powder-coated metal sheet



Technical Data

75x75 mm 100x100 mm	14"-22"	90°/90°	min. 75x75 mm max. 100x100 mm
20 Kg	90°/90°	360°	



Accessories

Series GDA



Series SVA



Trade Information

Index	Colour	Package	EAN
MDM221c-B	■	■	5908252964031
MDM221s-B	■	■	5908252964048

Package Dimensions [mm] (H x W x D)	1060x630x200
Weight [Kg]	10,5