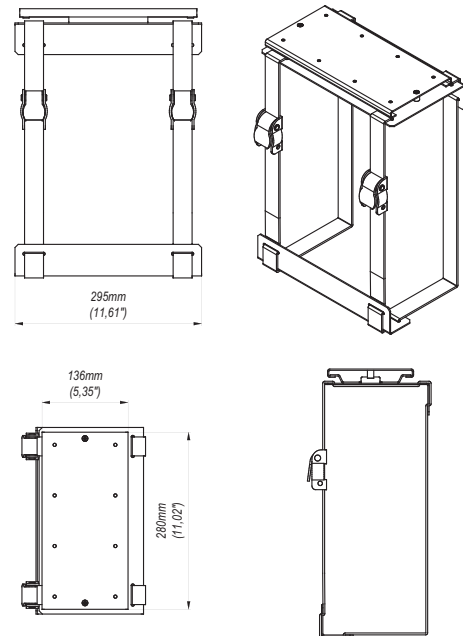


Features

- 1 ADJUSTABLE POSITION**
extendable, with 360° rotation
- 2 QUICK INSTALLATION**
easy installation of the product
- 3 SOLID BUILD**
3 mm thick powder-coated metal sheet



Trade Information

Index	Colour	Package	EAN
GU81c-B	■	■	5908252961276
GU81s-B	■	■	5908252961283

Package Dimensions [mm] (H x W x D)	315x170x80
Weight [Kg]	2.8

Technical Data



30 Kg