

CM3 ■ Double LCD Ceiling Mount 26"-55"



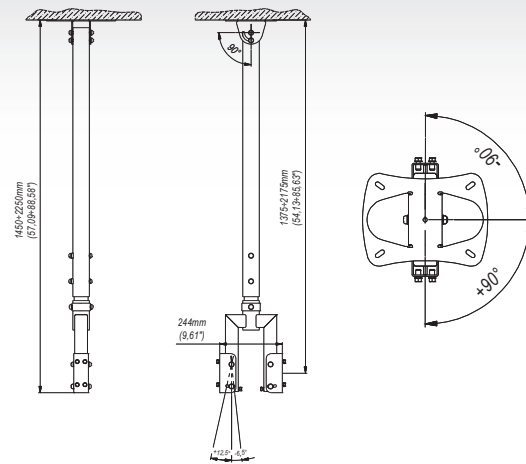
Features

- 1 INSTALLATION OF 2 SCREENS ON ONE MOUNT
- 2 TELESCOPIC MOUNT adjustable height, turn and tilt
- 3 COMPATIBILITY LWB, PWB, TWB series component
- 4 CABLE ORGANISER



Technical Data

100x100 mm 200x100 mm 200x200 mm 300x300 mm 400x200 mm 400x400 mm 600x400 mm 800x200 mm 800x400 mm	160 Kg	90°/-90°	min. 1450 mm max. 2250 mm
26"-55"	12,5°/-6,5°	min. 50x75 mm max. 850x460 mm	



Accessories

LWB1/PWB1/TWB1



CMA1



Trade Information

Index	Colour	Package	EAN
CM3c-B	■	■	5908252961351
CM3s-B	■	■	5908252961368

Package Dimensions [mm] (H x W x D)	1310x210x210
Weight [Kg]	16